

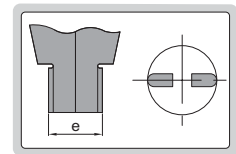
DIGITAL CALIPER



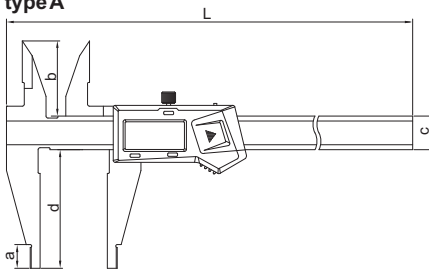
1136-306A



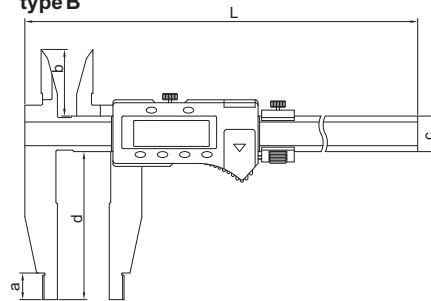
1136-501



type A



type B



- Resolution: 0.01mm/0.0005"
- Buttons: on/off, zero, mm/inch
- Automatic power off, move the digital unit to turn on power
- Battery CR2032
- USB data output
- Made of stainless steel
- Optional accessory: SPC cable (page A1-A2)

- Resolution: 0.01mm/0.0005"
- Button function: on/off, zero, mm/inch, ABS, data preset
- Absolute and incremental measurement
- Battery CR2032
- Data output
- Made of stainless steel
- Optional accessory: SPC cable (page A1-A2)

(mm)

Code	Range	Type	Accuracy	a	b	c	d	e	L
1136-256A	0-250mm/0-10"	A	±0.03mm	12	28	17	60	10	375
1136-306A	0-300mm/0-12"	A	±0.04mm	12	28	17	60	10	420
1136-301	0-300mm/0-12"	B	±0.05mm	12	28	24	100	20	420
1136-451	0-450mm/0-18"	B	±0.05mm	18	45	24	100	20	625
1136-501	0-500mm/0-20"	B	±0.05mm	18	45	24	100	20	675
1136-502	0-500mm/0-20"	B	±0.06mm	18	45	24	150	20	675
1136-503	0-500mm/0-20"	B	±0.06mm	18	45	31	200	20	675
1136-601	0-600mm/0-24"	B	±0.05mm	18	45	24	100	20	770
1136-1002	0-1000mm/0-40"	B	±0.08mm	24	60	31	150	20	1220
1136-1502	0-1500mm/0-60"	B	±0.11mm	24	60	42	150	20	1780
1136-2002	0-2000mm/0-80"	B	±0.14mm	24	60	42	150	20	2290