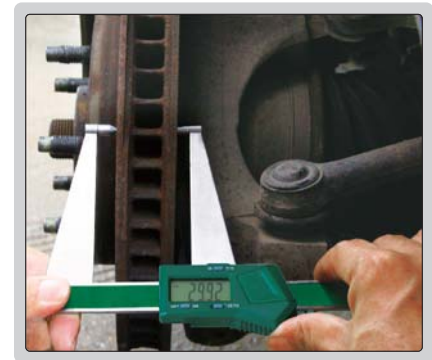


# DIGITAL DISK BRAKE CALIPER

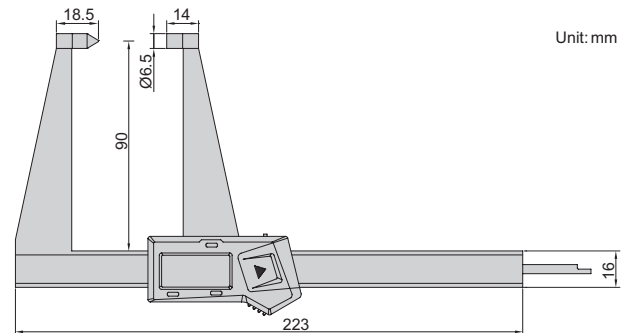
RELATIVE PRODUCT:  
DISK BRAKE MICROMETER  
(CODE 3288-, 3588-)

DATA  
OUTPUT



1162-125A

- Measure thickness of disk brakes
- Resolution 0.01mm/0.0005"
- Buttons: on/off, zero, mm/inch
- Automatic power off, move the digital unit to turn on power
- Battery CR2032
- Data output
- Made of stainless steel
- Optional accessory: data output system (page A1-A4)



Code	Range	Accuracy
1162-125A	0-125mm/0-5"	±0.05mm