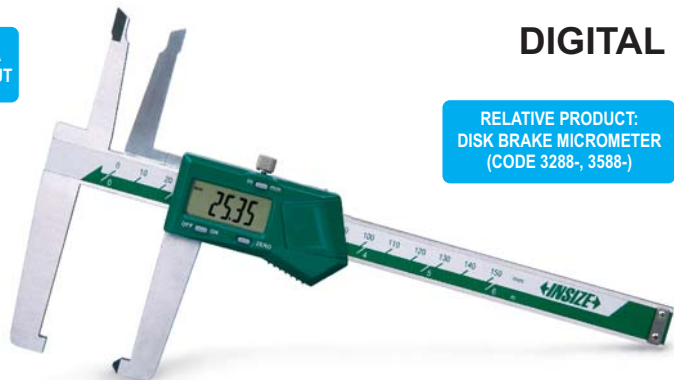


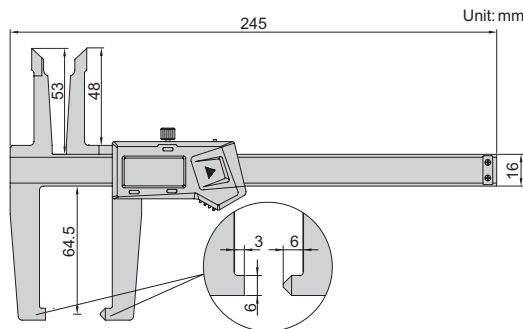
DATA
OUTPUT



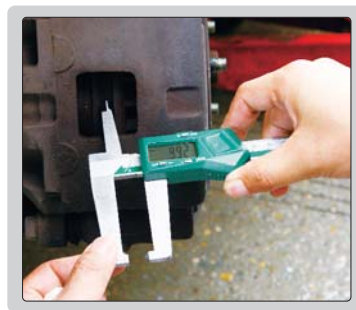
1167-150A

RELATIVE PRODUCT:
DISK BRAKE MICROMETER
(CODE 3288-, 3588-)

DIGITAL DISK BRAKE AND PAD CALIPER



- Measure thickness of disk brakes and pad wear
- Resolution: 0.01mm/0.0005"
- Buttons: on/off, zero, mm/inch
- Automatic power off, move the digital unit to turn on power
- Battery CR2032
- Data output
- Made of stainless steel
- Optional accessory: data output system (page A1-A4)



Code	Range	Accuracy
1167-150A	0-150mm/0-6"	±0.07mm