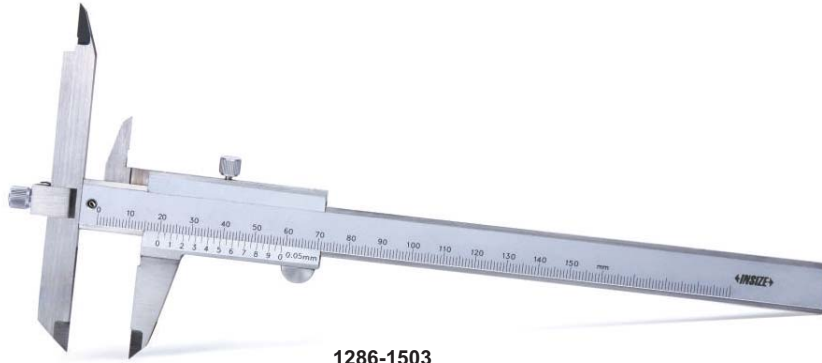
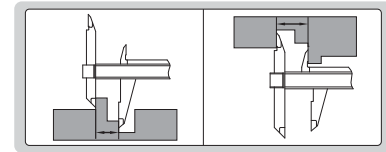


OFFSET VERNIER CALIPER



1286-1503

- The left jaw can slide up and down to facilitate measurement of stepped sections
- Made of stainless steel
- Stain chrome plated reading surface



Graduation 0.02mm (mm)

Code	Range	Accuracy	L	a	b	c	d
1286-1501	0-150mm	±0.04mm	240	40	16.5	16	110
1286-2001	0-200mm	±0.04mm	290	50	19.5	16	120
1286-3001	0-300mm	±0.05mm	390	60	20.5	17	130

Graduation 0.05mm (mm)

Code	Range	Accuracy	L	a	b	c	d
1286-1503	0-150mm	±0.05mm	240	40	16.5	16	110
1286-2003	0-200mm	±0.05mm	290	50	19.5	16	120
1286-3003	0-300mm	±0.08mm	390	60	20.5	17	130

