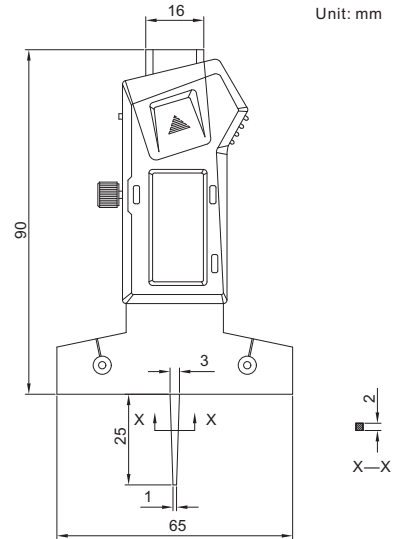


# DIGITAL DEPTH GAUGE



1145-25A



- Measure depth of small groove and hole, also measure depth of tire thread
- Resolution: 0.01mm/0.0005"
- Buttons: on/off, zero, mm/inch
- Supplied with zero set surface
- Automatic power off, move the digital unit to turn on power
- Battery CR2032
- USB data output
- Made of stainless steel
- Optional accessory: SPC cable (page A1-A2)

Code	Range	Accuracy
1145-25A	0-25mm/0-1"	±0.03mm

