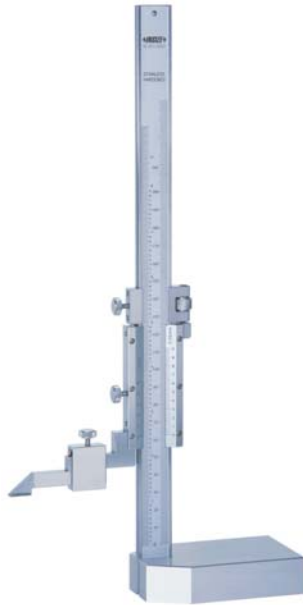
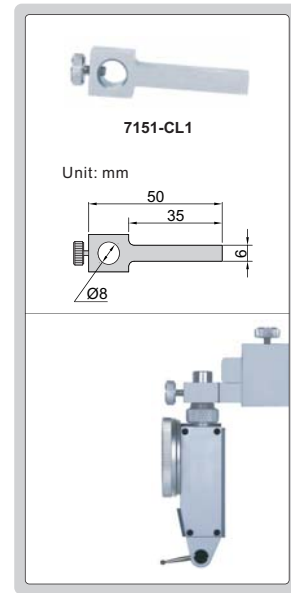


VERNIER HEIGHT GAGE



1253-200

dial test indicator holder (optional)



- Graduation 0.02mm/0.001"
- Carbide tipped scriber
- Made of stainless steel (except the base)
- Satin chrome plated scale
- Optional accessory: dial test indicator holder (code 7151-CL1)

Code	Range	Accuracy	L	a	b	c	d
1253-150	0-150mm/0-6"	±0.03mm	265	75	57	43	16
1253-200	0-200mm/0-8"	±0.03mm	325	90	70	49	20

(mm)

