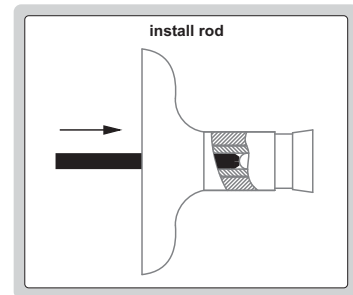
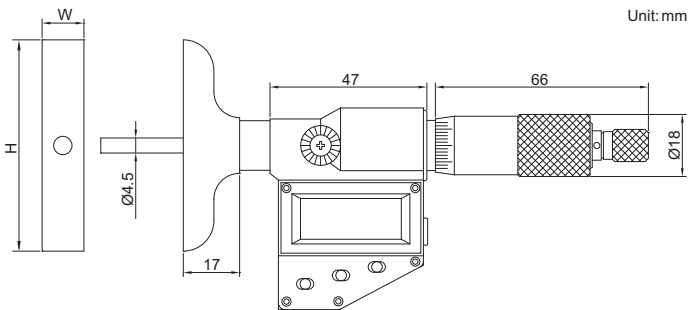


DIGITAL DEPTH MICROMETER



3540-50



- Resolution: 0.001mm/0.00005"
- Micrometer head accuracy: +/-3µm
- Rod accuracy: +/- (2+L/75)µm, L is the measuring range in mm
- Button function: on/off, set, mm/inch, ABS/INC, data output
- IP54 dust/waterproof
- RS232 data output
- SR44 or LR44 battery, automatic power off
- Rods with flat end
- Optional accessory: SPC cable (page A1-A2)

Base: HxW=101.5x17mm

Code	Range	Rods
3540-50	0-50mm/0-2"	2pcs
3540-150	0-150mm/0-6"	6pcs
3540-300	0-300mm/0-12"	12pcs

Base: HxW=63x17mm

Code	Range	Rods
3540-B50	0-50mm/0-2"	2pcs
3540-B150	0-150mm/0-6"	6pcs
3540-B300	0-300mm/0-12"	12pcs