

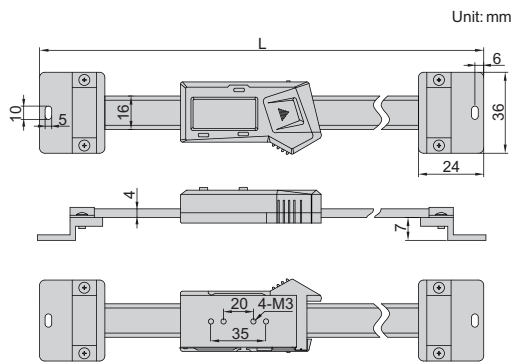
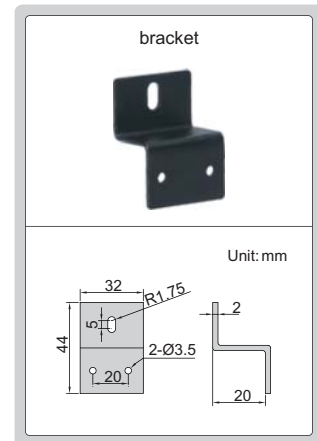
DIGITAL HORIZONTAL SCALE



7101-300A



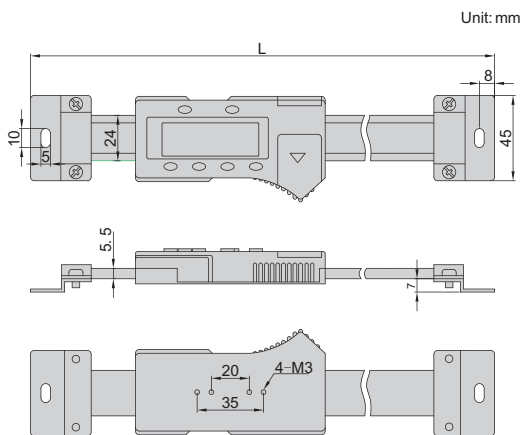
7101-400A



Unit: mm

type A

- Resolution: 0.01mm/0.0005"
- Buttons: on/off, zero, mm/inch
- Automatic power off, move the digital unit to turn on power
- Battery CR2032
- USB data output
- Made of stainless steel
- Supplied with bracket to be mounted on the back
- Optional accessory: SPC cable



Unit: mm

type B

- Resolution: 0.01mm/0.0005"
- Button function: on/off, zero, mm/inch, ABS, data preset
- Absolute and incremental measurement
- Battery CR2032
- Data output
- Made of stainless steel
- Supplied with bracket to be mounted on the back
- Optional accessory: SPC cable

(mm)

Code	Range	Type	Accuracy	L
7101-100A	100mm	A	±0.02mm	215
7101-150A	150mm	A	±0.03mm	265
7101-200A	200mm	A	±0.03mm	315
7101-300A	300mm	A	±0.04mm	445
7101-400A	400mm	B	±0.05mm	590

(mm)

Code	Range	Type	Accuracy	L
7101-500A	500mm	B	±0.05mm	690
7101-600A	600mm	B	±0.08mm	790
7101-800A	800mm	B	±0.10mm	990
7101-1000A	1000mm	B	±0.10mm	1190