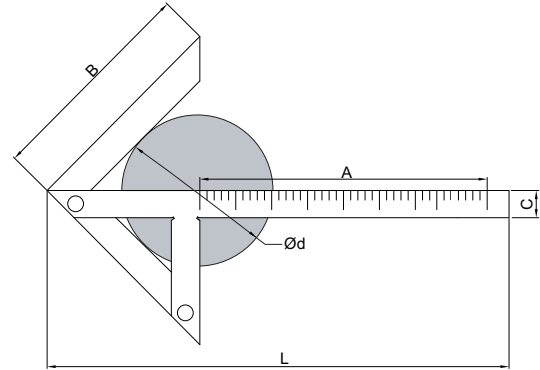
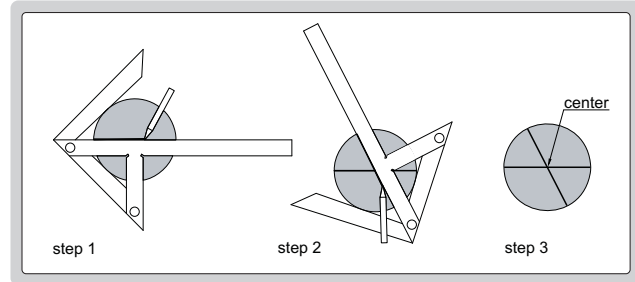


CENTER MARKING GAUGE



7205-100

- Marking the center of round plates and shafts
- Made of stainless steel
- Satin chrome plated



(mm)

Code	Size(AxB)	Diameter of shafts($\varnothing d$)	Accuracy	C	L
7205-100	100X70mm	4-90mm	$\pm 0.15\text{mm}$	12	153
7205-150	150x130mm	4-190mm	$\pm 0.15\text{mm}$	15	245
7205-200	200x150mm	6-220mm	$\pm 0.15\text{mm}$	15	310