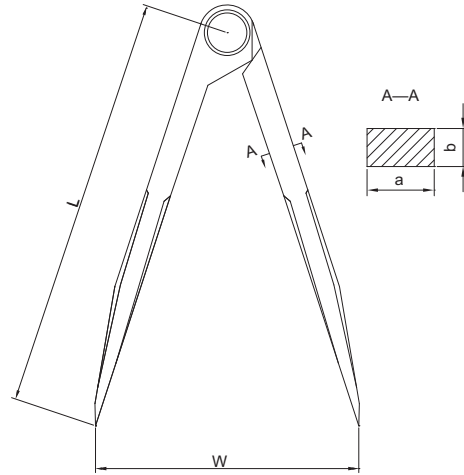


# DIVIDER



7245-125

- Made of carbon steel
- Hardened points



(mm)

Code	Size(L)	Range(W)	a	b
7245-125	125mm	0 - 125mm	8.5	7
7245-150	150mm	0 - 150mm	8.5	7
7245-200	200mm	0 - 200mm	10	7
7245-250	250mm	0 - 250mm	11	7
7245-300	300mm	0 - 300mm	12	7

