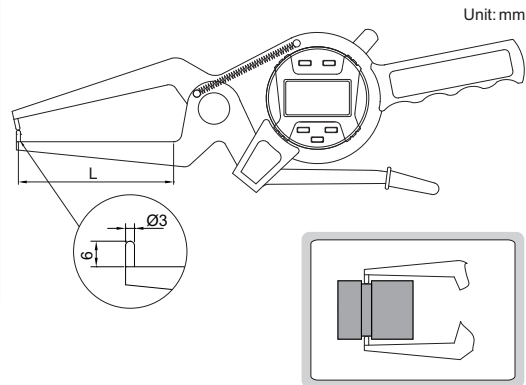


DIGITAL EXTERNAL CALIPER GAUGE



2132-20



Code	Range	Resolution	Accuracy	L(mm)
2132-20	0-20mm/0-0.8"	0.01mm/0.0005"	±0.04mm	60
2132-40	20-40mm/0.8-1.6"	0.01mm/0.0005"	±0.04mm	60
2132-60	40-60mm/1.6-2.4"	0.01mm/0.0005"	±0.04mm	55
2132-80	60-80mm/2.4-3.2"	0.01mm/0.0005"	±0.04mm	55
2132-100	80-100mm/3.2-4"	0.01mm/0.0005"	±0.04mm	55

- Reading in digit and analog
- Display can be rotated by 320°
- Button function: tolerance Go and No-Go display, data preset, measuring direction change, max./min./range measurement, inch/metric conversion, absolute/incremental measurement
- CR2032 battery, automatic power off
- USB data output
- Optional accessory: SPC cable (page A1-A2)