

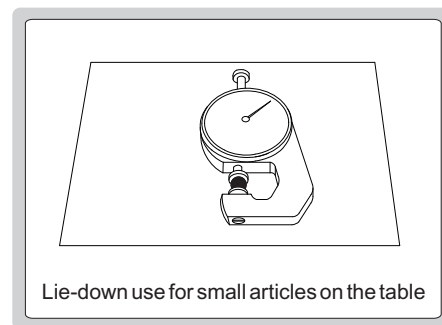
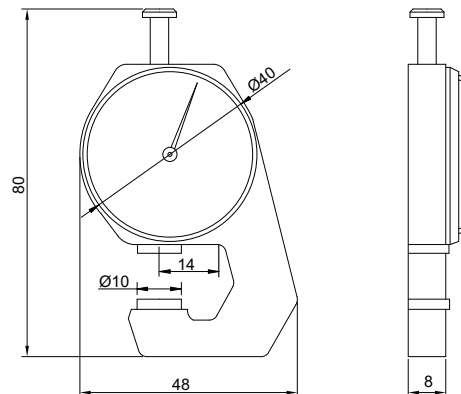
THICKNESS GAUGE



2361-10

| Code | Range | Graduation | Accuracy |
|---------|--------|------------|----------|
| 2361-10 | 0-10mm | 0.1mm | ±0.05mm |

Unit: mm



Lie-down use for small articles on the table