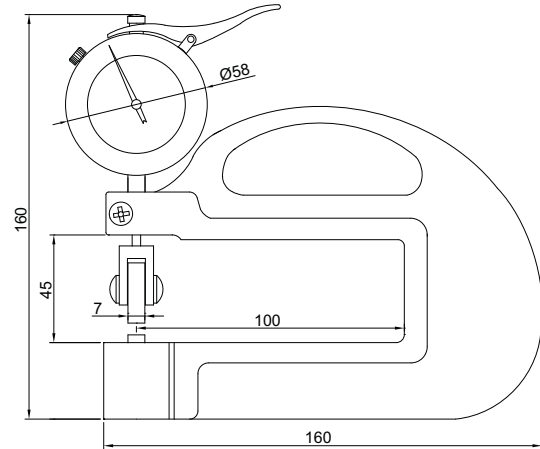


THICKNESS GAUGE WITH ROLLING WHEEL



2368-10

Unit: mm



- For continuous measurement

Code	Range	Graduation	Accuracy
2368-10	0-10mm	0.01mm	± 0.025 mm