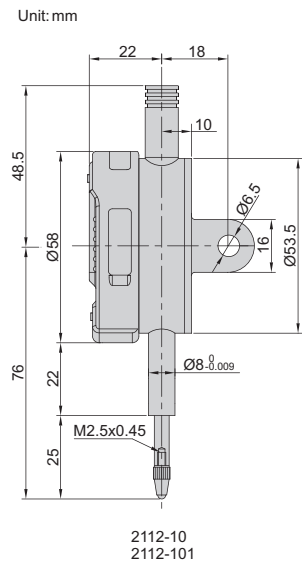


DIGITAL INDICATOR

DATA
OUTPUT



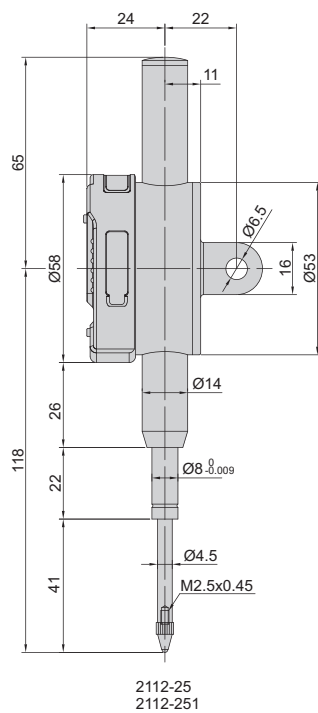
- Button function: on/off, inch/mm, zero
- CR2032 battery, automatic power off
- Data output
- Optional accessory: data output system, backs, contact points

Resolution 0.001mm/0.00005"

Code	Range	Accuracy	Hysteresis	Remark
2112-101 *	12.7mm/0.5"	5µm	2µm	lug back
2112-251 *	25.4mm/1"	5µm	3µm	lug back
2112-101F *	12.7mm/0.5"	5µm	2µm	flat back
2112-251F *	25.4mm/1"	5µm	3µm	flat back

Resolution 0.01mm/0.0005"

Code	Range	Accuracy	Hysteresis	Remark
2112-10 *	12.7mm/0.5"	20µm	10µm	lug back
2112-25 *	25.4mm/1"	20µm	10µm	lug back
2112-10F *	12.7mm/0.5"	20µm	10µm	flat back
2112-25F *	25.4mm/1"	20µm	10µm	flat back



* Supplied with manufacturer calibration certificate