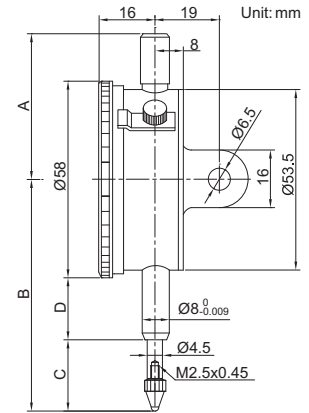


# PRECISION DIAL INDICATOR



2313-1A

- Jeweled bearing
- Supplied with limit hands
- 1mm and 2mm are supplied with bezel clamp, 3mm and 5mm are not supplied with bezel clamp
- Optional accessory: backs(page F15), contact points(page F11-F14)



(mm)

Code	Range	Graduation	Accuracy( $f_{ges}$ )	Hysteresis( $f_u$ )	Range/rev	Dial reading	Remark	A	B	C	D
2313-1A	1mm	0.001mm	5 $\mu$ m	2 $\mu$ m	0.2mm	0-100-0	lug back	45	62.5	19.5	15
2313-2A	2mm	0.001mm	8 $\mu$ m	2.5 $\mu$ m	0.2mm	0-100-0	lug back	45	62.5	19.5	15
2313-3A	3mm	0.001mm	10 $\mu$ m	4 $\mu$ m	0.2mm	0-100-0	lug back	41.5	59.5	21.5	10
2313-5A	5mm	0.001mm	10 $\mu$ m	4 $\mu$ m	0.2mm	0-100-0	lug back	41.5	59.5	21.5	10
2313-1FA	1mm	0.001mm	5 $\mu$ m	2 $\mu$ m	0.2mm	0-100-0	flat back	45	62.5	19.5	15
2313-2FA	2mm	0.001mm	8 $\mu$ m	2.5 $\mu$ m	0.2mm	0-100-0	flat back	45	62.5	19.5	15
2313-3FA	3mm	0.001mm	10 $\mu$ m	4 $\mu$ m	0.2mm	0-100-0	flat back	41.5	59.5	21.5	10
2313-5FA	5mm	0.001mm	10 $\mu$ m	4 $\mu$ m	0.2mm	0-100-0	flat back	41.5	59.5	21.5	10