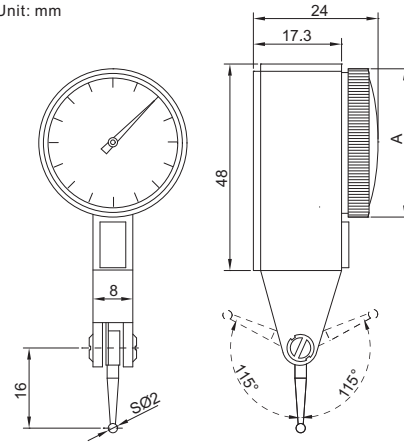


PRECISION DIAL TEST INDICATOR



2384-012

Unit: mm



- Jeweled bearing
- Ruby contact point
- Two measuring directions
- Anti magnetic body
- Supplied with two clamps: diameter $\varnothing 4\text{mm}$ and $\varnothing 8\text{mm}$

Code	Range	Graduation	Accuracy(f_{ges})	Hysteresis(f_u)	Dial reading	A
2384-012	0.12mm	0.001mm	5 μm	3 μm	0-60-0	$\varnothing 31\text{mm}$
2388-012	0.12mm	0.001mm	5 μm	3 μm	0-60-0	$\varnothing 38.4\text{mm}$

clamps

