

# LONG STYLI DIAL TEST INDICATOR

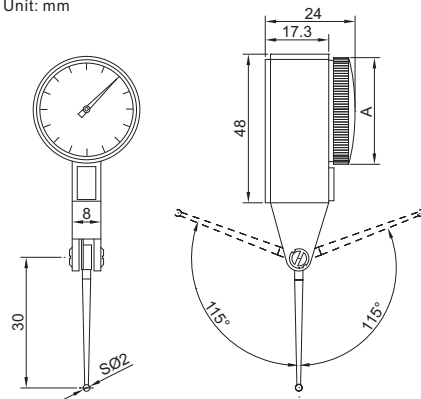


2390-081

- Jeweled bearing
- Ruby contact point
- Two measuring directions
- Anti magnetic body
- Supplied with two clamps: diameter  $\varnothing 4\text{mm}$  and  $\varnothing 8\text{mm}$

Code	Range	Graduation	Accuracy( $f_{ges}$ )	Hysteresis( $f_u$ )	Dial reading	A
2390-081	0.8mm	0.01mm	13 $\mu\text{m}$	5 $\mu\text{m}$	0-40-0	$\varnothing 31\text{mm}$
2390-082	0.8mm	0.01mm	13 $\mu\text{m}$	5 $\mu\text{m}$	0-40-0	$\varnothing 38.4\text{mm}$

Unit: mm



clamps

