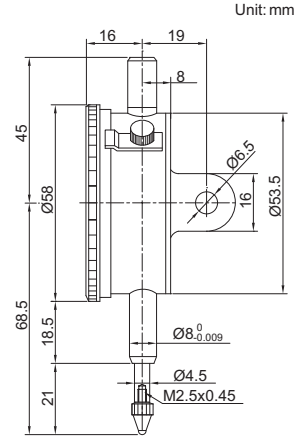


REVERSE READING DIAL INDICATOR



2801-10

- Suitable for depth and step measurements
- Jeweled bearing
- Supplied with limit hands and bezel clamp
- Optional accessory: backs (page F15), contact points (page F11-F14)



Code	Range	Graduation	Accuracy(f_{ges})	Hysteresis(f_u)	Range/rev	Dial reading	Remark
2801-10	10mm	0.01mm	20 μ m	3 μ m	1mm	100-0	lug back
2801-10F	10mm	0.01mm	20 μ m	3 μ m	1mm	100-0	flat back