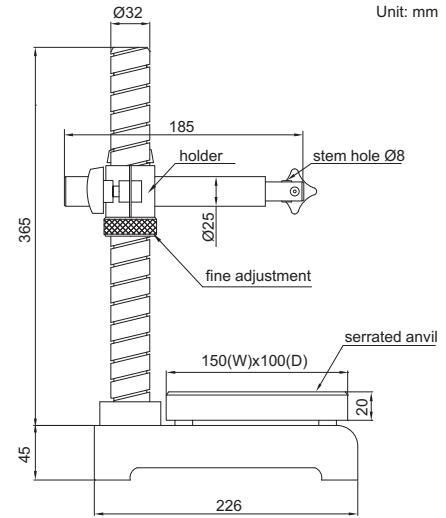


COMPARATOR STAND



6864-250

- Vertical travel of holder: 250mm
- Fine adjustment range: entire stroke



Code	Applicable holding stem	Anvil
6864-250	Ø8mm	serrated, flatness 1.5µm, hardness HRC60±2