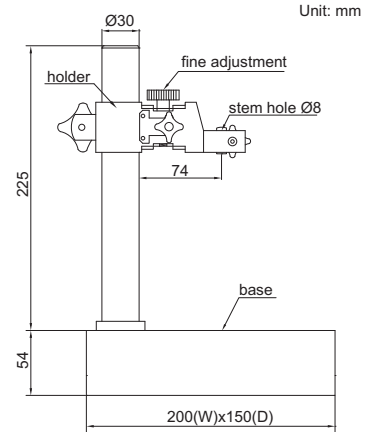


# GRANITE COMPARATOR STAND



6866-150

- Vertical travel of holder: 150mm
- Fine adjustment range: 2mm



Code	Applicable holding stem	Base
6866-150	Ø8mm	flatness 3.2µm