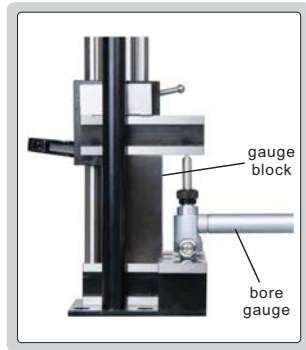


# BORE GAUGE CHECKER



- Used together with gauge blocks to set bore gauges

| Code     | Setting range |
|----------|---------------|
| 2395-400 | 18-400mm      |



Unit: mm

