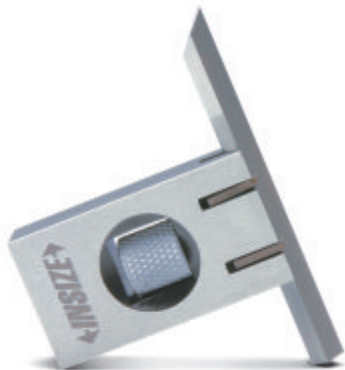
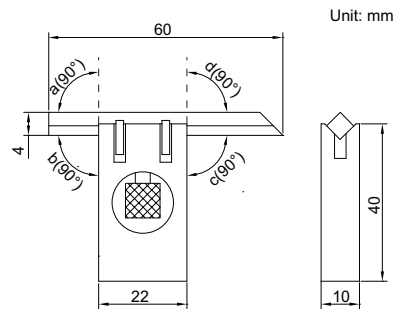


ADJUSTABLE SQUARE



4701-1



- The straight edge can move and can be locked by the clamping screw
- Made of hardened stainless steel

Code	Squareness(a, b, c, d)
4701-1	7 μ m

