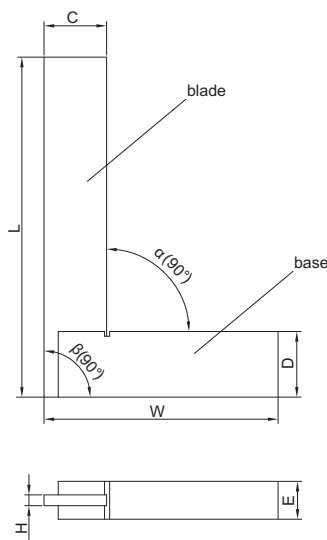


MACHINIST SQUARE WITH WIDE BASE



4707-100



Size(LxW)	(mm)			
	C	D	H	E
50x40mm	16	12	3	9
75x50mm	16	16	3	9
100x70mm	19	19	3	12
150x100mm	25	25	3	16
200x130mm	30	32	4	16
250x165mm	30	32	4	19
300x200mm	32	32	4	19
400x250mm	38	38	5	22
500x300mm	45	50	6	25
600x350mm	50	50	6	30
750x400mm	55	55	6	50
900x500mm	65	75	9	50
1000x550mm	65	75	9	50

- Made of carbon steel
- Base is not hardened

DIN875 grade 1, blade is hardened

Individual

Code	Size(LxW)	Squareness	
		Inside(α)	Outside(β)
4707-151	50x40mm	12μm	13μm
4707-175	75x50mm	13μm	14μm
4707-1100	100x70mm	14μm	15μm
4707-1150	150x100mm	16μm	18μm
4707-1200	200x130mm	18μm	20μm
4707-1250	250x165mm	21μm	23μm
4707-1300	300x200mm	23μm	25μm
4707-1400	400x250mm	28μm	30μm
4707-1500	500x300mm	33μm	35μm
4707-1600	600x350mm	38μm	40μm
4707-1750	750x400mm	45μm	48μm
4707-1900	900x500mm	51μm	55μm
4707-11000	1000x550mm	56μm	60μm

Set

Code	Squares included
4707-1S2	50x40mm (4707-150), 75x50mm (4707-175), 100x70mm (4707-1100), 150x100mm (4707-1150)
4707-1S3	100x70mm (4707-1100), 150x100mm (4707-1150), 200x130mm (4707-1200), 300x200mm (4707-1300)

DIN875 grade 2, blade is not hardened

Individual

Code	Size(LxW)	Squareness	
		Inside(α)	Outside(β)
4707-50	50x40mm	24μm	25μm
4707-75	75x50mm	26μm	28μm
4707-100	100x70mm	28μm	30μm
4707-150	150x100mm	33μm	35μm
4707-200	200x130mm	37μm	40μm
4707-250	250x165mm	42μm	45μm
4707-300	300x200mm	47μm	50μm
4707-400	400x250mm	56μm	60μm
4707-500	500x300mm	65μm	70μm
4707-600	600x350mm	75μm	80μm
4707-750	750x400mm	90μm	95μm
4707-900	900x500mm	103μm	110μm
4707-1000	1000x550mm	113μm	120μm

Set

Code	Squares included
4707-2S2	50x40mm (4707-50), 75x50mm (4707-75), 100x70mm (4707-100), 150x100mm (4707-150)
4707-2S3	100x70mm (4707-100), 150x100mm (4707-150), 200x130mm (4707-200), 300x200mm (4707-300)