

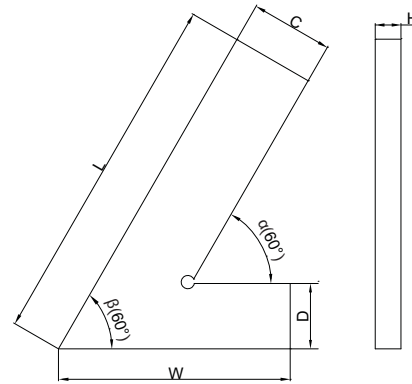
60° SQUARE



4760-1100

(mm)

Code	Size(LxW)	Accuracy		C	D	H
		Inside(α)	Outside(β)			
4760-1100	100x70mm	28 μ m	30 μ m	20	20	5
4760-1120	120x80mm	30 μ m	32 μ m	20	20	5
4760-1150	150x100mm	32 μ m	35 μ m	20	20	5
4760-1200	200x130mm	37 μ m	40 μ m	25	25	5



- Made of hardened stainless steel