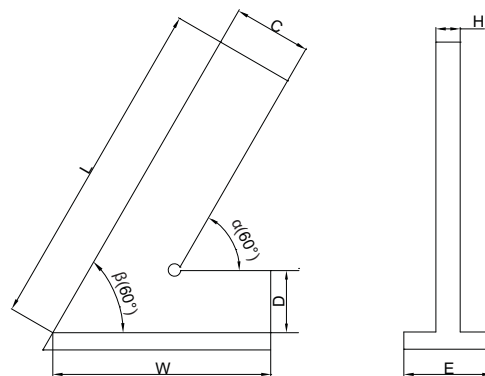


## 60° SQUARE WITH WIDE BASE



4762-100



(mm)

Code	Size(LxW)	Accuracy		C	D	H	E
		Inside( $\alpha$ )	Outside( $\beta$ )				
4762-100	100x70mm	28 $\mu$ m	31 $\mu$ m	20	20	5	20
4762-120	120x80mm	30 $\mu$ m	33 $\mu$ m	20	20	5	20
4762-150	150x100mm	33 $\mu$ m	36 $\mu$ m	20	20	5	20
4762-200	200x130mm	37 $\mu$ m	41 $\mu$ m	25	25	5	25

- Made of hardened stainless steel