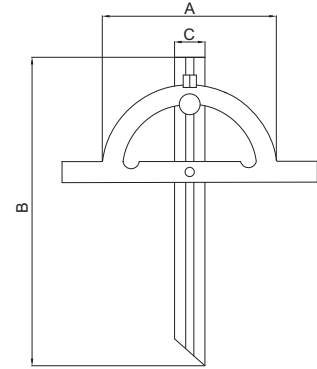


PROTRACTOR



4797-100

- Made of stainless steel
- Satin chrome plated scale
- With clamping screw
- The blade is moveable



(mm)

Code	Size(AxB)	Range	Graduation	Accuracy	C
4797-100	100x150mm	10 - 170°	1°	±0.3°	18
4797-150	150x300mm	10 - 170°	1°	±0.3°	18
4797-200	200x400mm	10 - 170°	1°	±0.3°	20
4797-250	250x500mm	10 - 170°	1°	±0.3°	20
4797-300	300x600mm	10 - 170°	1°	±0.3°	20

