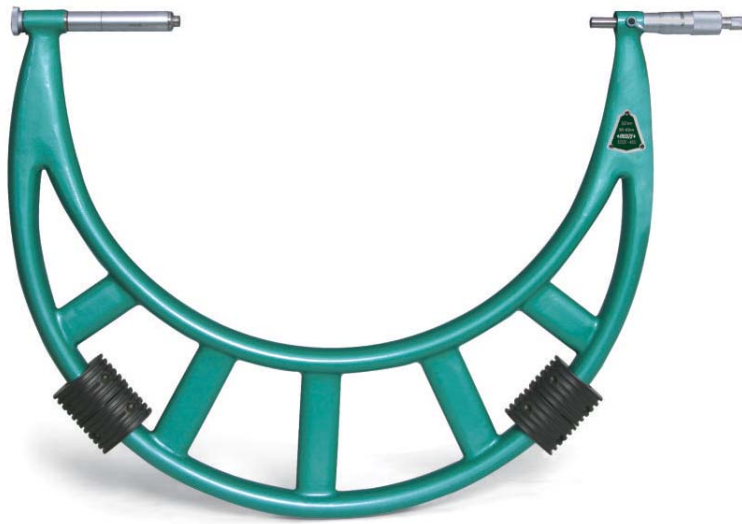
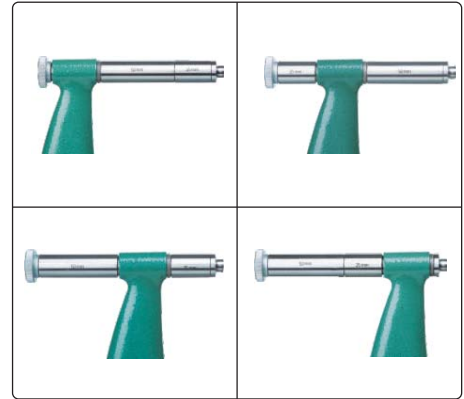


OUTSIDE MICROMETER WITH EXTENSION ANVIL COLLAR

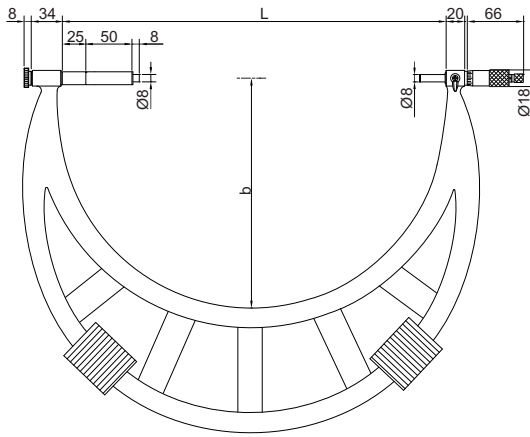


3205-400

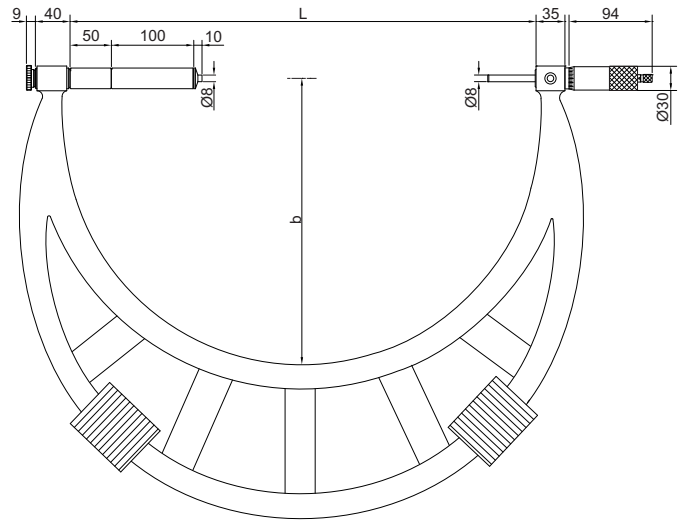


adjust collars for different measuring ranges

Unit: mm



type A



type B

(mm)

Code	Range	Type	Accuracy	L	b
3205-400	300-400mm	A	11 μ m	410	250
3205-500	400-500mm	A	13 μ m	510	295
3205-600	500-600mm	A	14 μ m	610	345
3205-700	600-700mm	A	16 μ m	710	395
3205-800	700-800mm	A	18 μ m	810	445
3205-900	800-900mm	A	20 μ m	910	495
3205-1000	900-1000mm	A	22 μ m	1010	545
3205-1200	1000-1200mm	B	22 μ m	1210	645
3205-1400	1200-1400mm	B	24 μ m	1410	745
3205-1600	1400-1600mm	B	28 μ m	1610	845
3205-1800	1600-1800mm	B	31 μ m	1810	945
3205-2000	1800-2000mm	B	34 μ m	2010	1045

- Graduation 0.01mm
- Adjust collars for different measuring ranges
- Ratchet stop
- Carbide measuring faces
- Supplied with setting standards