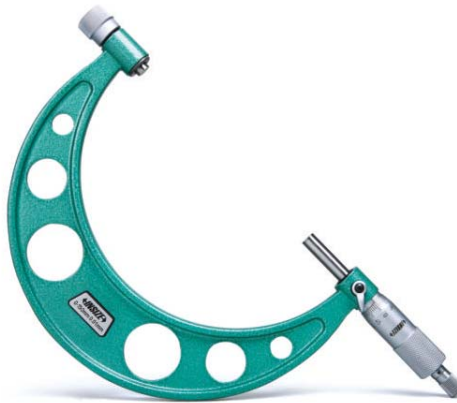


# OUTSIDE MICROMETER WITH INTERCHANGEABLE ANVILS

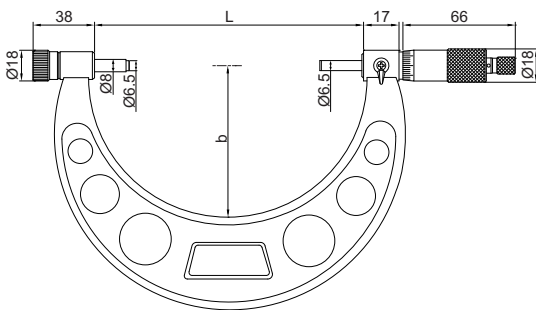


3206-150A

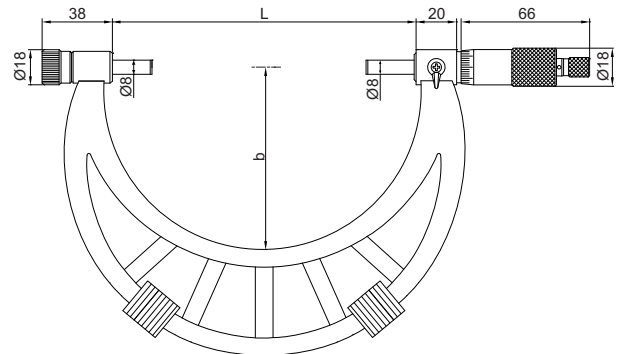


3206-400

Unit: mm



type A



type B

(mm)

Code	Range	Type	Accuracy	L	b
3206-50A	0-50mm	A	4 $\mu$ m	58	35
3206-100A	0-100mm	A	5 $\mu$ m	108	57
3206-150A	0-150mm	A	6 $\mu$ m	158	82
3206-151A	50-150mm	A	6 $\mu$ m	158	82
3206-200A	100-200mm	A	7 $\mu$ m	208	114
3206-300A	150-300mm	A	9 $\mu$ m	308	165
3206-301A	200-300mm	A	9 $\mu$ m	308	165
3206-400	300-400mm	B	11 $\mu$ m	409	224
3206-500	400-500mm	B	13 $\mu$ m	509	275
3206-600	500-600mm	B	14 $\mu$ m	609	321
3206-700	600-700mm	B	16 $\mu$ m	709	371
3206-800	700-800mm	B	18 $\mu$ m	809	426
3206-900	800-900mm	B	20 $\mu$ m	909	476
3206-1000	900-1000mm	B	22 $\mu$ m	1009	576



- Graduation 0.01mm
- Ratchet stop
- Carbide measuring faces
- Supplied with setting standards