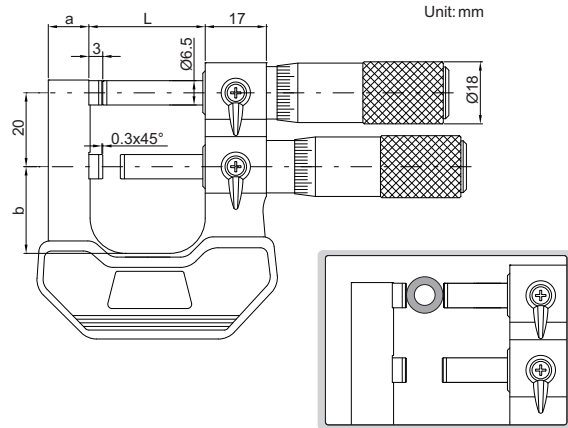




3235-25A

LIMIT MICROMETER



(mm)

Code	Range	Accuracy	L	a	b
3235-25A	0-25mm	4 μ m	32	12	24
3235-50A	25-50mm	4 μ m	57	15	32

- Used as Go/No-Go gauge by setting upper and lower limits
- Graduation 0.002mm
- Ratchet stop
- Carbide measuring faces
- Supplied with setting standard(except 0-25mm)