

OUTSIDE MICROMETER FOR LEFT AND RIGHT HAND

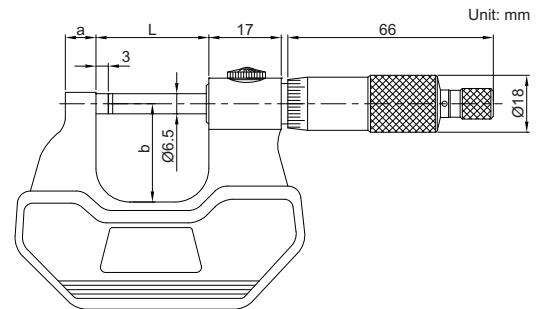


front



back

3236-25B



(mm)					
Code	Range	Accuracy	L	a	b
3236-25B	0-25mm	4 μ m	32	6	24
3236-50B	25-50mm	4 μ m	57	8	32

- Graduation 0.01mm
- Graduations on two sides
- Ratchet stop
- Carbide measuring faces
- Meet DIN863
- Supplied with setting standards (except 0-25mm)