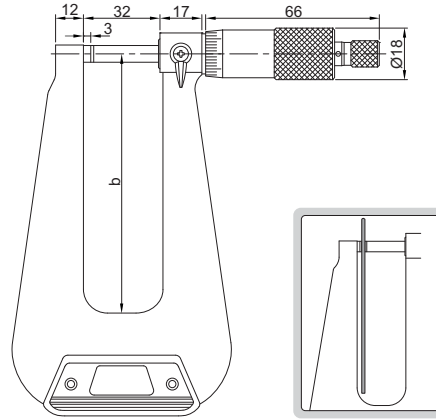


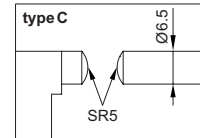
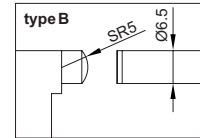
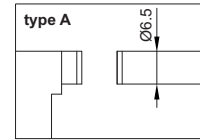
SHEET METAL MICROMETER



3239-253



Unit: mm



(mm)

Code	Range	Type	Accuracy	b
3239-253	0-25mm	A	5µm	155
3239-253F	0-25mm	B	5µm	155
3239-254F	0-25mm	B	6µm	310
3239-253S	0-25mm	C	5µm	155

- Deep frame suitable for sheet metal, paper and plastic
- Graduation 0.01mm
- Ratchet stop
- Carbide measuring faces