

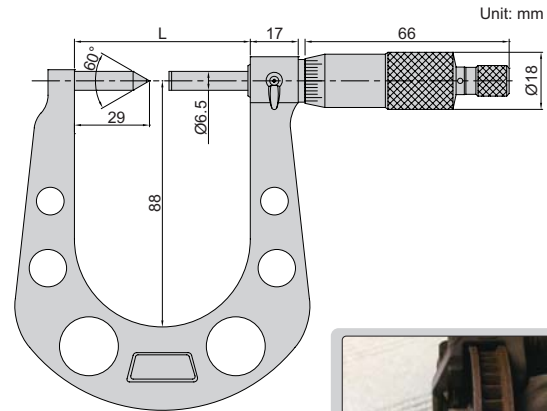
RELATIVE PRODUCT:
 DIGITAL DISK BRAKE AND PAD CALIPER
 DIGITAL DRUM BRAKE CALIPER
 (CODE 1162-150A, 1167-150A, 1168-300A)



3288-33A

Code	Range	Accuracy	(mm) L
3288-33A	7.6-33mm	5μm	64.5
3288-50A	25-50mm	5μm	82

DISK BRAKE MICROMETER



- Measure thickness of disk brakes
- Graduation 0.01mm
- Ratchet stop
- Carbide measuring faces
- Supplied with setting standards