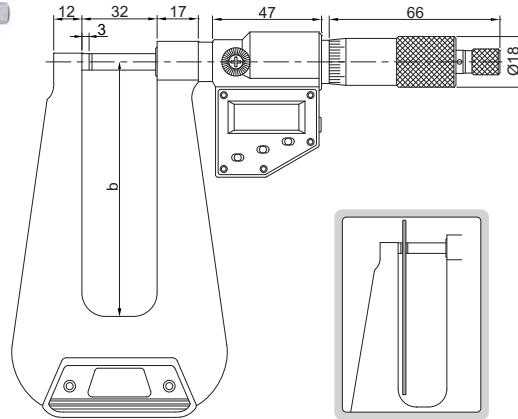


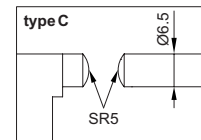
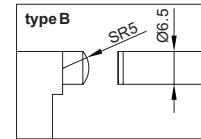
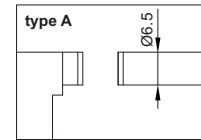
# DIGITAL SHEET METAL MICROMETER



3539-253A



Unit: mm



Code	Range	Type	Accuracy	b (mm)
3539-253A	0-25mm/0-1"	A	±5µm	155
3539-253FA	0-25mm/0-1"	B	±5µm	155
3539-254FA	0-25mm/0-1"	B	±6µm	310
3539-253SA	0-25mm/0-1"	C	±5µm	155

- Deep frame suitable for sheet metal, paper and plastic
- Resolution 0.001mm/0.00005"
- IP54 dust/waterproof
- Button function: on/off, set, mm/inch, ABS/INC, data output
- RS232 data output
- SR44 or LR44 battery, automatic power off
- Ratchet stop
- Carbide measuring faces
- Optional accessory: SPC cable (page A1-A2)