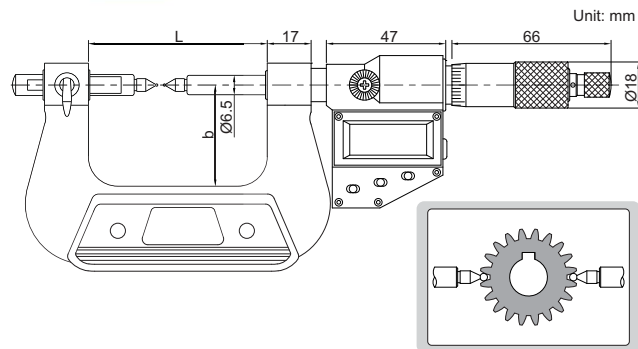


DIGITAL GEAR TOOTH MICROMETER



3591-25A



Code	Range	Micrometer head accuracy	Ball tips accuracy	L	b
3591-25A	0-25mm/0-1"	±4μm	8μm	67	38
3591-50A	25-50mm/1-2"	±4μm	8μm	92.4	50
3591-75A	50-75mm/2-3"	±5μm	10μm	117.6	62
3591-100A	75-100mm/3-4"	±5μm	10μm	143	70

(mm)

- Measure over-pin diameter of gears
- Resolution 0.001mm/0.00005"
- IP54 dust/waterproof
- Button function: on/off, set, mm/inch, ABS/INC, data output
- RS232 data output
- SR44 or LR44 battery, automatic power off
- Ratchet stop
- Supplied with setting standards(except 0-25mm/0-1")
- Optional accessory: ball tips(code 7391, next page), SPC cable(page A1-A2)