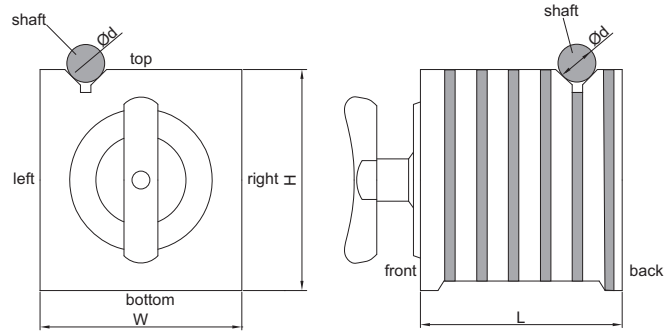


MAGNETIC SQUARE AND V-BLOCK



6510-1A



Code	Size(LxWxH)	Magnetic force	Range of shafts (Ød)	Parallelism or squareness between top, bottom, left, right and back sides	Parallelism or squareness of both V grooves to top, bottom, left, right and back sides
6510-1A	100x100x100mm	30kgf	6-36mm	10µm	10µm
6510-2A	150x150x150mm	30kgf	6-44mm	15µm	15µm