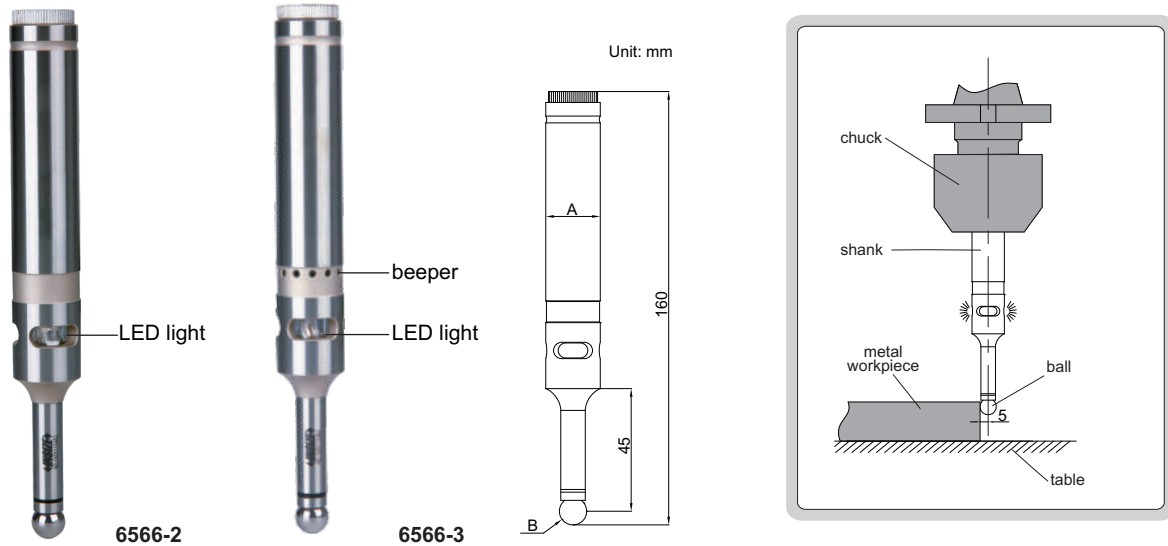


# ELECTRONIC EDGE FINDER



- The shank is electrically conducted to the metal workpiece through the chuck and table, the LED lights up and the beeper sounds(only for **6566-3**), when the ball touches the workpiece
- Not suitable for rotary use
- Hardened shank and contact ball

Code	Shank (A)	Contact ball (B)	Accuracy	Beeper	Battery
6566-2	Ø20mm	SØ10mm	5µm	without	LR1, 1.5Vx2pcs
6566-3	Ø20mm	SØ10mm	5µm	with	23AE, 12Vx1pc