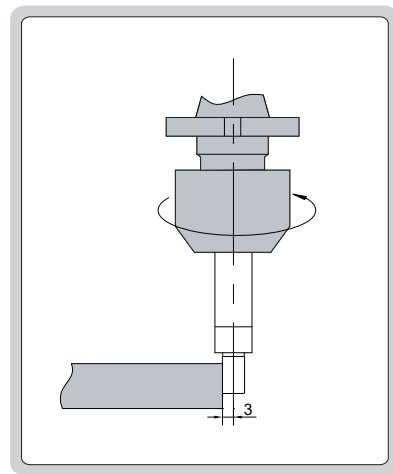
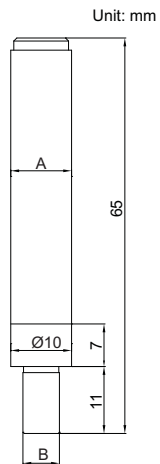


EDGE FINDER



6567-1



- Hardened shank and contact point

| Code | Shank (A) | Contact point(B) | Accuracy |
|--------|-----------|------------------|----------|
| 6567-1 | Ø10mm | Ø6mm | 8µm |