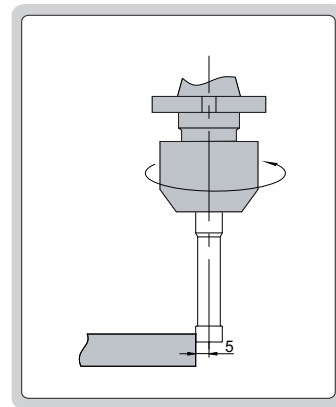
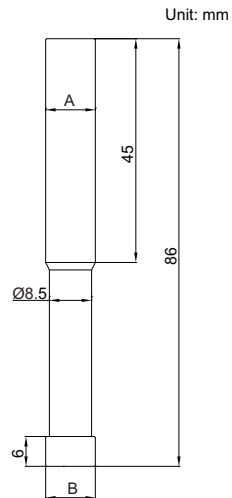


# CERAMIC EDGE FINDER



6568-1



- Ceramic contact point, non magnetic

Code	Shank (A)	Contact point(B)	Accuracy
6568-1	Ø10mm	Ø10mm	8µm