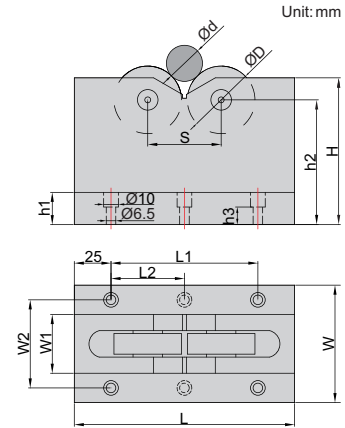
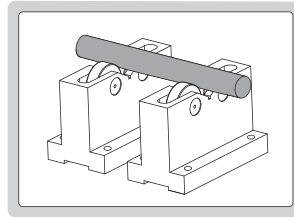


ROLLER BEARING V-BLOCK SET



6888-1



Unit: mm

(mm)

- Two V-blocks per set
- Workpieces don't get damaged due to bearings
- Suitable for heavy workpieces

Code	W1	W2	h1	h2	h3	L1	L2	S
6888-1	22	44	20	85	12	100	-	60
6888-2	40	60	22	85	12	100	-	50
6888-3	60	80	30	124	20	180	90	120

Code	Size (LxWxH)	Diameter of bearings ($\varnothing D$)	Range of shafts ($\varnothing d$)	Parallelism of bearings to bottom (when two V-blocks are closed)	Load capacity
6888-1	150x60x100mm	42mm	25-70mm	5 μ m	500kg
6888-2	150x80x100mm	47mm	3-55mm	5 μ m	1000kg
6888-3	230x100x150mm	72mm	70-200mm	5 μ m	1000kg