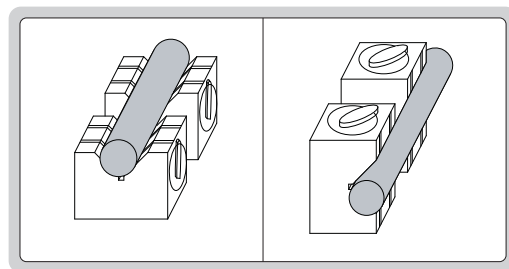
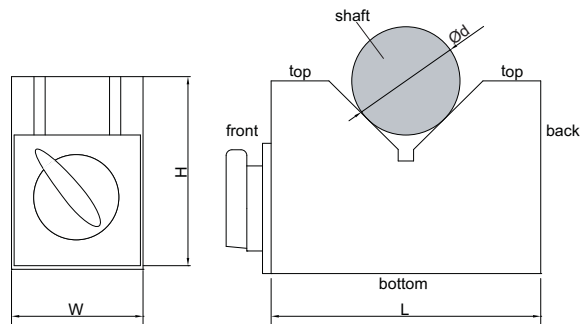


MAGNETIC V-BLOCK SET



6891-1

- Two V-blocks per set



Code	Size(LxWxH)	Range of shafts (Ød)	Magnetic force	Parallelism of V groove to bottom and back sides	Height difference of a matched pair
6891-1	70x40x50mm	6 - 46mm	15kgf	10µm	10µm
6891-3	150x50x100mm	6 - 125mm	23kgf	10µm	10µm